

Current Transformer for Self Powered Relay, SVR109

The current transformer for self powered relay in SVR109 housing is specially designed for application in medium voltage installations as Ring Main Units (RMU). This solid, cast resin transformer is cost effective and very reliable. The transformer is fitted lengthwise with the cable. The transformer is provided with a permanent lead with connector for connection to the relay. The standard connector code is FKCVR 2.5/4-ST.

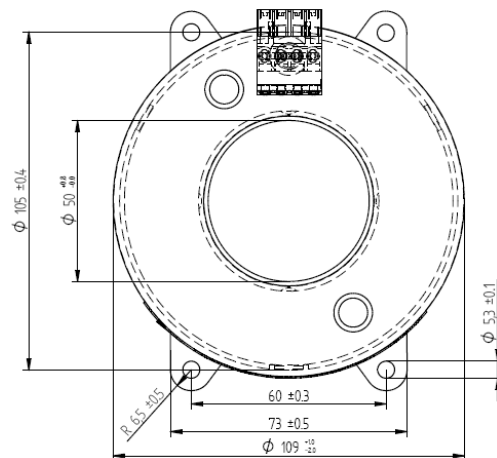


Technical Specifications*

| | |
|------------------------------------|---|
| Location: | Indoor use |
| Protection degree: | IP20 |
| Rated frequency: | 50/60Hz |
| Class of insulation: | E (120°C) |
| Primary window suitable for cable: | Maximum Ø50mm |
| Material: | PU & PA6.6 |
| Secondary terminal: | Cable 110mm with connector FKCVR 2.5/4-STK. |
| Test winding: | 0,288A nom |
| Burden: | Contact ELEQ for details |

*The given specification is valid in combination with a self powered relay like the WIC1

Dimensions

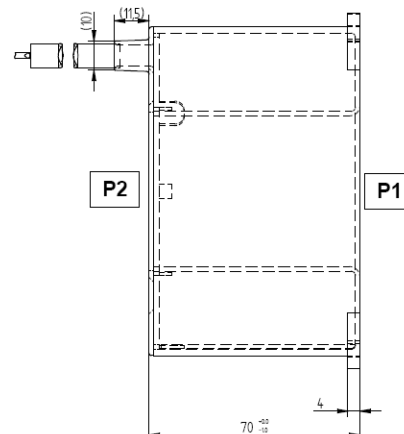
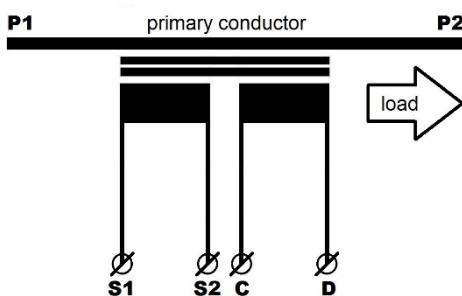


Ordering Specifications

| Current Range | Class* | Cable diameter | Article number |
|---------------|--------|----------------|----------------|
| 16-56A | 5P80 | 50mm | 4G2005N |
| 32-112A | 5P80 | 50mm | 4G2002N |
| 64-224A | 5P80 | 50mm | 4G2003N |
| 128-448A | 5P80 | 50mm | 4G2004N |

*Contact ELEQ for further details about specification

Wiring Diagram



Current Transformer for Self Powered Relay, SVR109

The current transformer for self powered relay in SVR109 housing is specially designed for application in medium voltage installations as Ring Main Units (RMU). This solid, cast resin transformer is cost effective and very reliable. The transformer is fitted lengthwise with the cable. The transformer is provided with a permanent lead with connector for connection to the relay. The standard connector code is FKCVR 2.5/4-ST.

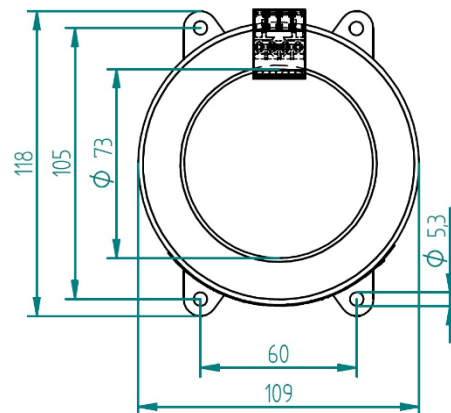


Technical Specifications*

| | |
|------------------------------------|---|
| Location: | Indoor use |
| Protection degree: | IP20 |
| Rated frequency: | 50/60Hz |
| Class of insulation: | E (120°C) |
| Primary window suitable for cable: | Maximum Ø73mm |
| Material: | PU & PA6.6 |
| Secondary terminal: | Cable 110mm with connector FKCVR 2.5/4-STK. |
| Test winding: | 0,288A nom |
| Burden: | Contact ELEQ for details |

*The given specification is valid in combination with a self powered relay like the WIC1

Dimensions



Ordering Specifications

| Current Range | Class* | Cable diameter | Article number |
|---------------|--------|----------------|----------------|
| 16-56A | 5P80 | 73mm | 4G2115N |
| 16-56A | 10P80 | 73mm | 4G2111N |
| 32-112A | 5P80 | 73mm | 4G2112N |
| 64-224A | 5P80 | 73mm | 4G2113N |
| 128-448A | 5P80 | 73mm | 4G2114N |

*Contact ELEQ for further details about specification

Wiring Diagram

