

SBM 106-54-82 – Bushing Current Transformer

The SBM 106-54-82 is a low voltage current transformer for mounting around the bushing/conus connector in switchgear applications. Due to its optimized design it fits around almost all bushing connectors. With its sealable connectors it can be used for revenue metering (billing).

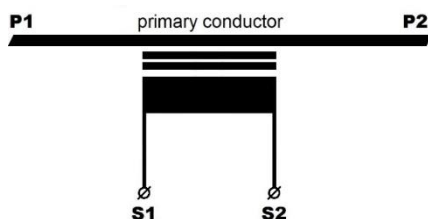


Ordering specifications

| Ratio | Class | Burden | Article number P1 at connection side | Article number P2 at connection side |
|--------|-------|--------|--|--|
| 50/1A | 1 | 1VA | 4SB5** | 4SB8** |
| 100/1A | 0,5 | 2VA | 4SB5** | 4SB8** |
| 200/1A | 0,5S | 2,5VA | 4SB502 | 4SB802 |
| 300/1A | 0,2S | 2,5VA | 4SB513 | 4SB813 |
| 400/1A | 0,2S | 2,5VA | 4SB514 | 4SB814 |
| 500/1A | 0,2S | 5VA | 4SB515 | 4SB815 |
| 600/1A | 0,2S | 5VA | 4SB516 | 4SB816 |
| 200/5A | 0,5S | 2,5VA | 4SB522 | 4SB822 |
| 300/5A | 0,2S | 2,5VA | 4SB533 | 4SB833 |
| 400/5A | 0,2S | 2,5VA | 4SB534 | 4SB834 |
| 500/5A | 0,2S | 5VA | 4SB535 | 4SB835 |
| 600/5A | 0,2S | 5VA | 4SB536 | 4SB836 |

On request other ratio's and specifications for measuring and protection classes are possible.

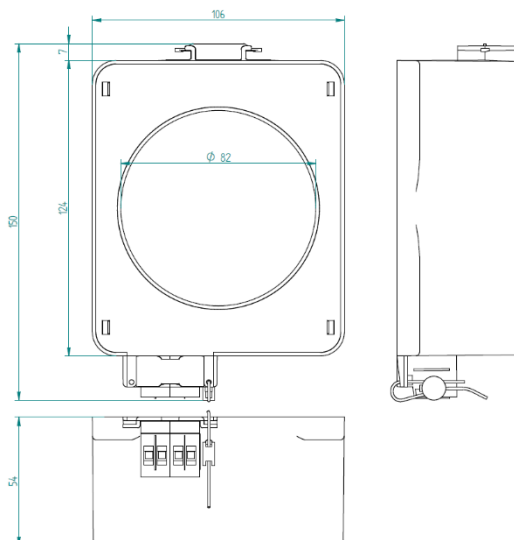
Wiring diagram



Technical specifications

| | |
|---|---|
| Environmental conditions | |
| This product is designed to be safe under the following conditions: | |
| Location: | Indoor use |
| Ambient air temperature: | -35°C .. +50°C; other temperatures on request |
| Storage and transport temperature: | -40°C .. +60°C |
| Relative humidity: | 5% .. 95%, non condensing |
| Altitude: | Max. 2000m above NN; at >1000m data required |
| Protection degree (secondary terminal): | IP20 |
| Application conditions | |
| Standard: | IEC 61869-2 / IEEE C57.13; etc. |
| IEC 61768-2 specification: | |
| Rated short-time thermal current (I _{th}): | 60 x I _n /1s, max. 50kA/1s |
| Rated dynamic current (I _{dyn}): | 2,5 x I _{th} , max. 125kA/1s |
| Continuous thermal current (I _{cth}): | Up to 120% |
| Rated insulation level: | Max. 0,72/3/-kv |
| Rated frequency: | 50/60Hz |
| Class of insulation: | E (120°C) |
| Primary window dimensions: | Ø 82 mm |
| Rated primary current: | Up to 600A |
| Rated secondary current: | 1A or 5A; other options available on request |
| Rated output: | As required. For example 2,5VA, 5VA |
| Accuracy class: | As required. For example 0,2S, 0,5S |
| Secondary terminal: | Sealable, 6mm ² solid / 4mm ² , stranded Screw connection |

Dimensions



Ref. 2



ESBM 106-54-82 – Bushing Current Transformer

The ESBM 106-54-82 is a low voltage current transformer for mounting around the bushing/conus connector in switchgear applications. Due to its optimized design it fits around almost all bushing connectors. With its sealable connectors it can be used for revenue metering (billing). The ELEQ quality assurance system is recognized, according conformity assessment procedure, by the National Metrology Institute of German (PTB), so that the ESBM current transformer can be used for billing purposes as soon as it is placed on the market. These current transformers are supplied with a declaration of conformity. This enables ELEQ to declare and confirm that its products meet the basic requirements of the law on measurements and calibration.

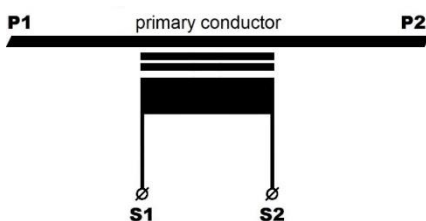


Ordering specifications

| Ratio | Class | Burden | Article number P1 at connection side | Article number P2 at connection side |
|--------|-------|--------|--|--|
| 50/1A | 1 | 1VA | 4SB5**D | 4SB8**D |
| 100/1A | 0,5 | 2VA | 4SB5**D | 4SB8**D |
| 200/1A | 0,5S | 2,5VA | 4SB502D | 4SB802D |
| 300/1A | 0,2S | 2,5VA | 4SB513D | 4SB813D |
| 400/1A | 0,2S | 2,5VA | 4SB514D | 4SB814D |
| 500/1A | 0,2S | 5VA | 4SB515D | 4SB815D |
| 600/1A | 0,2S | 5VA | 4SB516D | 4SB816D |
| 200/5A | 0,5S | 2,5VA | 4SB522D | 4SB822D |
| 300/5A | 0,2S | 2,5VA | 4SB533D | 4SB833D |
| 400/5A | 0,2S | 2,5VA | 4SB534D | 4SB834D |
| 500/5A | 0,2S | 5VA | 4SB535D | 4SB835D |
| 600/5A | 0,2S | 5VA | 4SB536D | 4SB836D |

On request other ratio's and specifications for measuring and protection classes are possible.

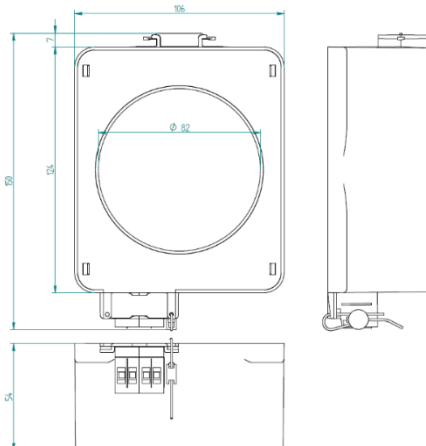
Wiring diagram



Technical specifications

| | |
|---|---|
| Environmental conditions | |
| This product is designed to be safe under the following conditions: | |
| Location: | Indoor use |
| Ambient air temperature: | -35°C .. +50°C; other temperatures on request |
| Storage and transport temperature: | -40°C .. +60°C |
| Relative humidity: | 5% .. 95%, non condensing |
| Altitude: | Max. 2000m above NN; at >1000m data required |
| Protection degree (secondary terminal): | IP20 |
| Application conditions | |
| Standard: | IEC 61869-2 / IEEE C57.13; etc. |
| IEC 61768-2 specification: | |
| Rated short-time thermal current (I _{th}): | 60 x I _n /1s, max. 50kA/1s |
| Rated dynamic current (I _{dyn}): | 2,5 x I _{th} , max. 125kA/1s |
| Continuous thermal current (I _{cth}): | Up to 120% |
| Rated insulation level: | Max. 0,72/3/-kv |
| Rated frequency: | 50/60Hz |
| Class of insulation: | E (120°C) |
| Primary window dimensions: | Ø 82 mm |
| Rated primary current: | Up to 600A |
| Rated secondary current: | 1A or 5A; other options available on request |
| Rated output: | As required. For example 2,5VA, 5VA |
| Accuracy class: | As required. For example 0,2S, 0,5S |
| Secondary terminal: | Sealable, 6mm ² solid / 4mm ² , stranded Screw connection |

Dimensions



Ref. 2

