

# UPM307 – ELETTRICAL CONNECTIONS AND WIRING

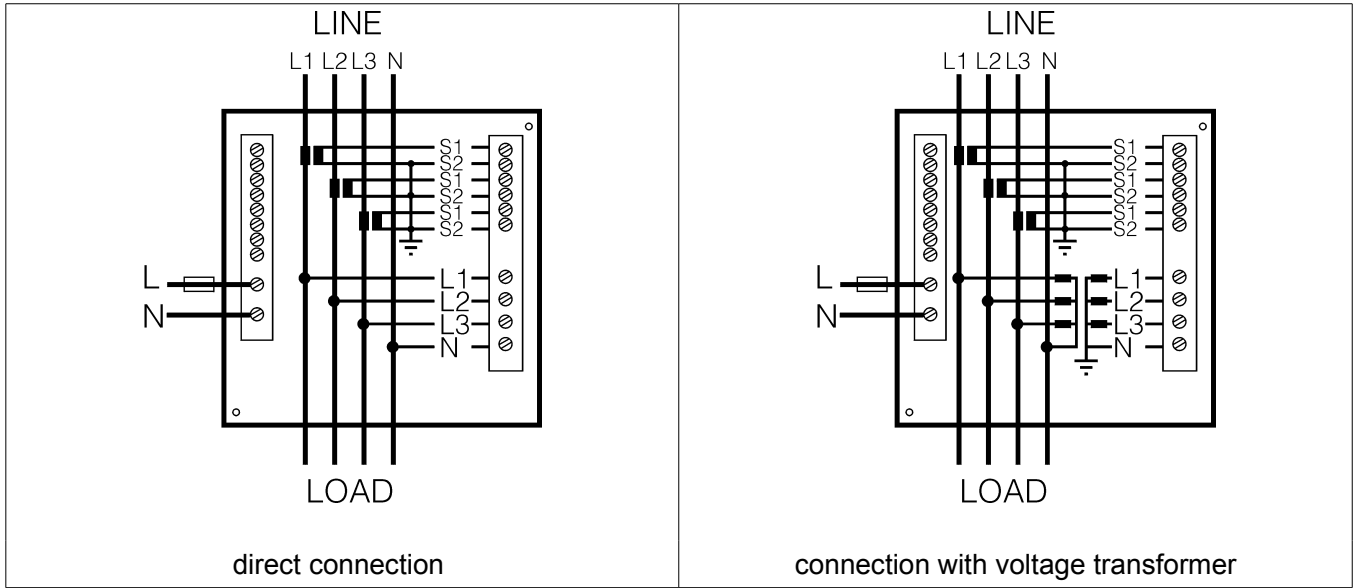
## 7.6 VOLTAGE AND CURRENT INPUTS

Connect the voltage and current inputs according to the pictures below.

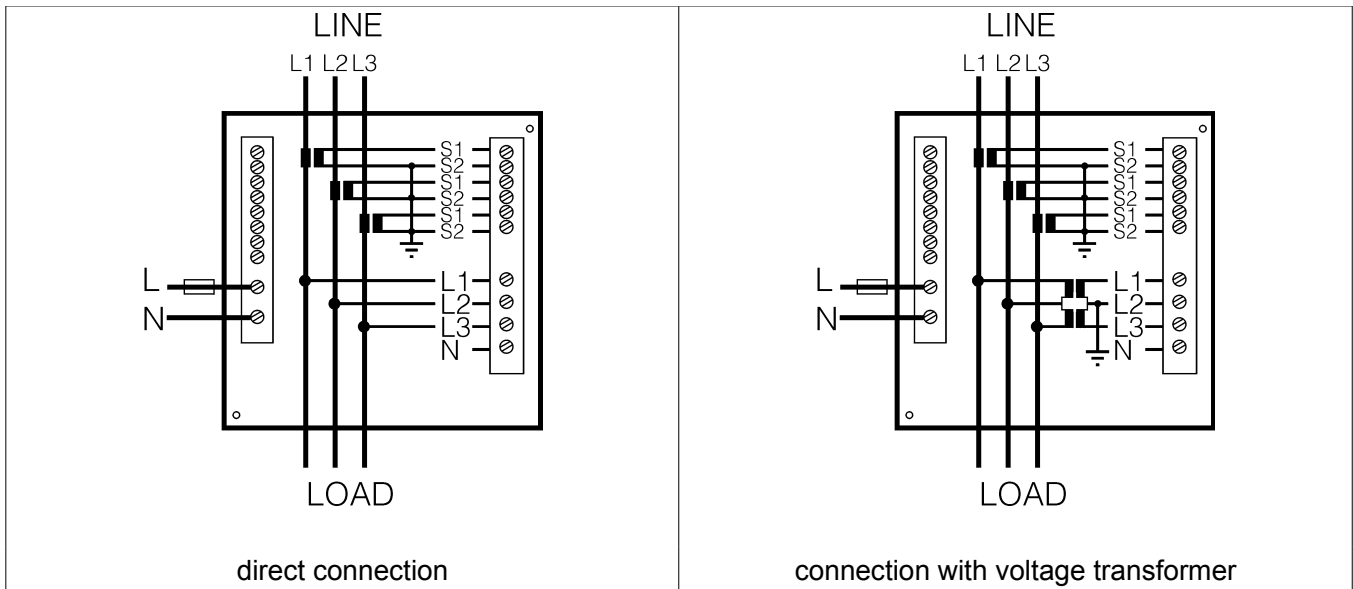


**NOTE.** In case of Rogowski coils, please check that **YELLOW** cable edge is connected to S1 (signal) and the **WHITE** cable edge is connected to S2 (common).

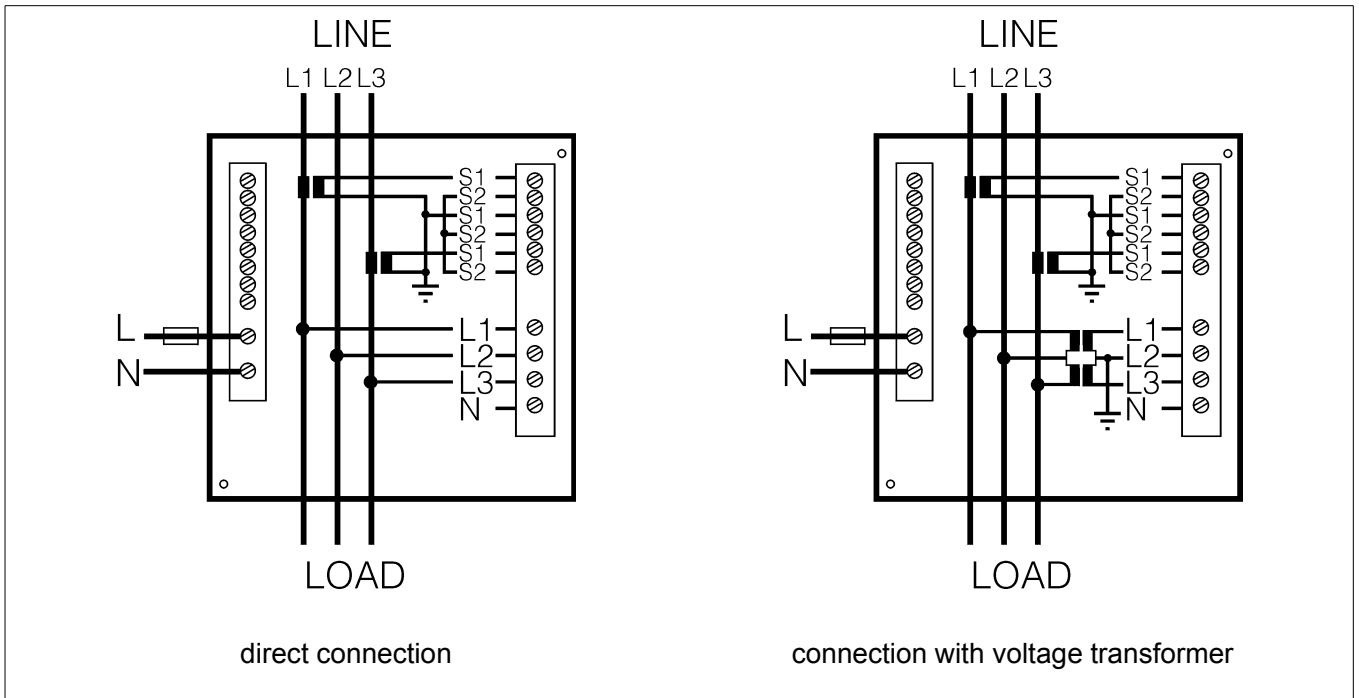
### 3 phases, 4 wires, 3 current transformers (3.4.3)



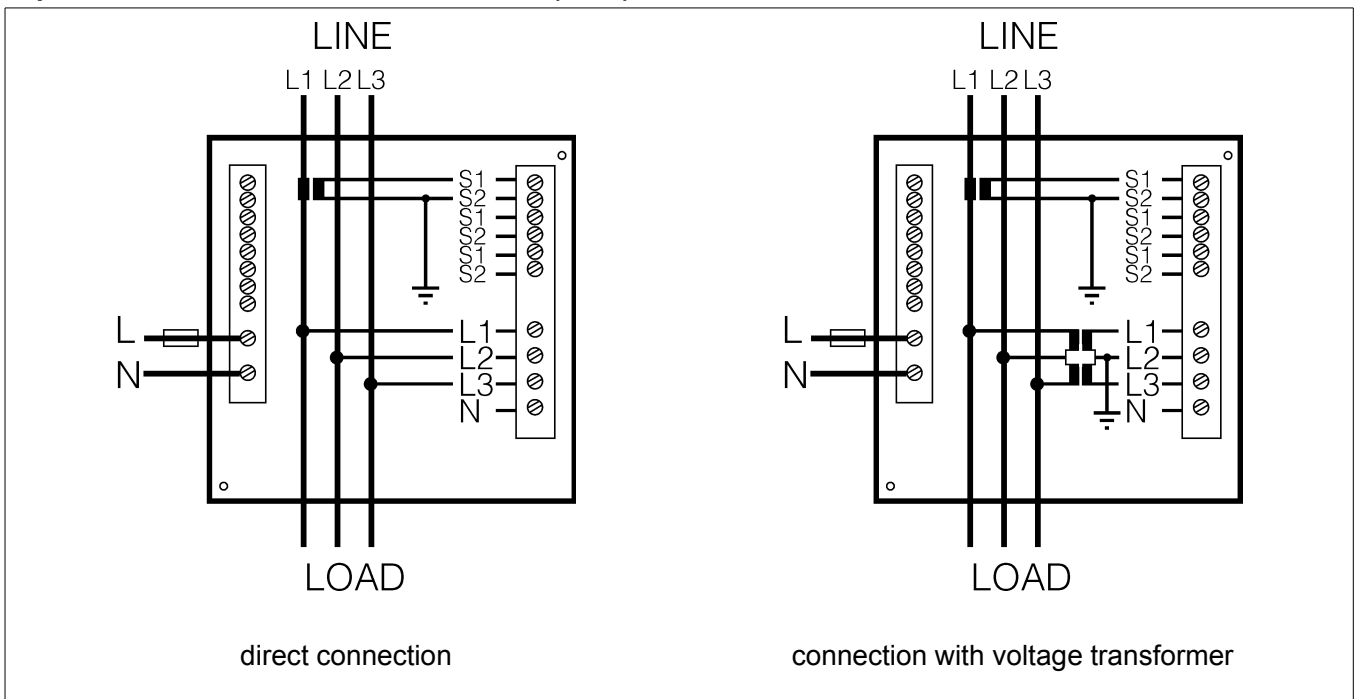
### 3 phases, 3 wires, 3 current transformers (3.3.3)



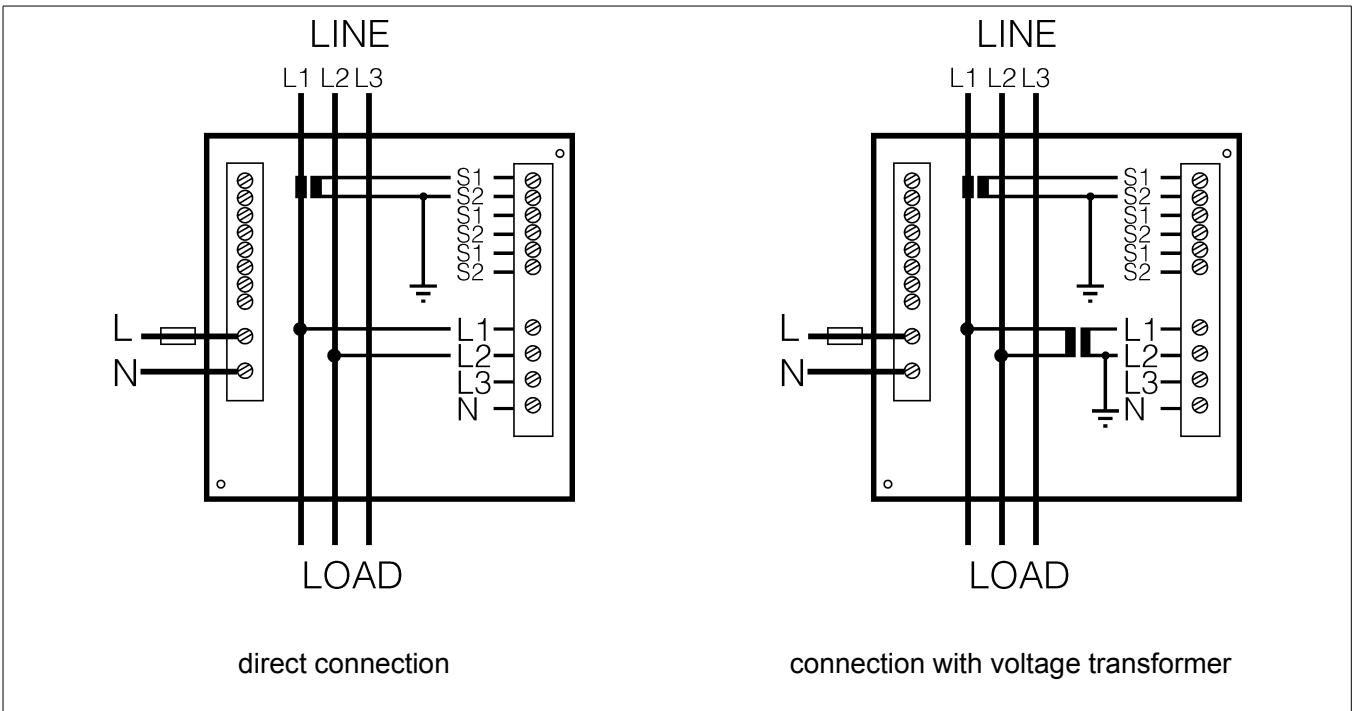
**3 phases, 3 wires, 2 current transformers (3.3.2)**



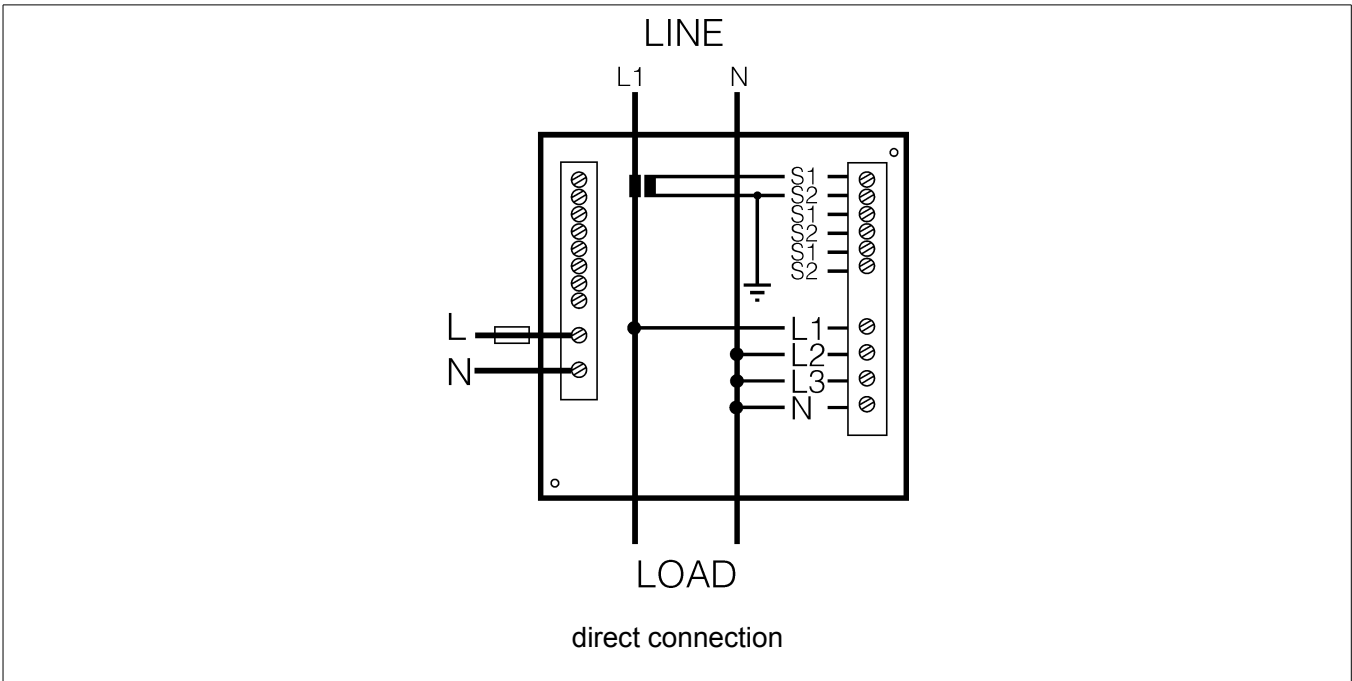
**3 phases, 3 wires, 1 current transformer (3.3.1)**



3 phases, 2 wires, 1 current transformer (3.2.1)



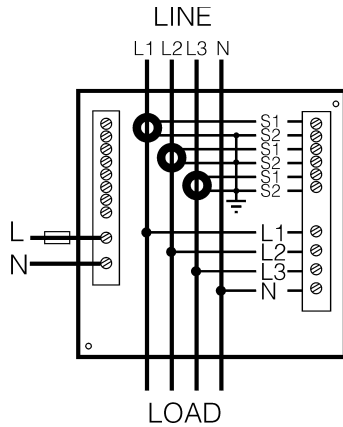
single phase (1ph)



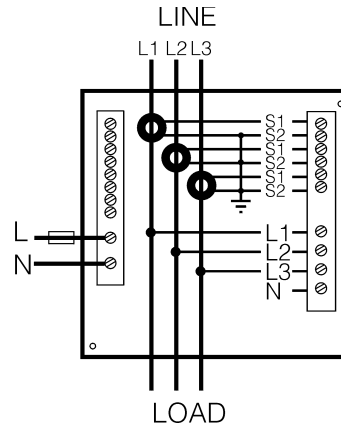
**WARNING!**  
Check that:

1. if the instrument must carry out bi-directional measurements to obtain correct measurements, the connections must respect the polarities.
2. the connections are made according to the diagrams in the following section, respecting the cyclic order of phases (**important: L1 of the voltage input = L1 of the current input**)
3. when voltage or current transformers (PT / CT) are used, in the input and output polarities must be respected.
4. before disconnecting current input the load power supply is cut off. If this is not possible, the secondary CT must be short-circuited.

WIRING DIAGRAMS WITH ROGOWSKI COILS CONNECTION AND VOLTAGE DIRECT CONNECTION (on request)



3phases, 4 wires, 3coils



3phases, 3wires, 3coils

7.6.1 Voltage specifications

The standard voltage specifications are listed below:



**NOTE.** The label on the meter defines the real configuration.

<b>Input voltage</b>	600 (750) V <sub>AC</sub> L-L
<b>Input impedance</b>	> 1.3 Mohm
<b>Load</b>	max 0.15 VA per phase

7.6.2 Current specifications

The phase and polarity of the input current are an essential parameters for a proper instrument operation. The standard current specifications are listed below:



**NOTE.** The label on the meter defines the real configuration.

<b>Rated input current</b>	1 o 5 A programmable
<b>Input impedance</b>	approx. Ohm ca.
<b>Load</b>	max VA per fase
<b>Isolation</b>	max 150V <sub>RMS</sub> between phases
<b>Rogowski coils input (optional)</b>	200÷49995 A on request

NOTES:

- Extract from manual (1MAUXX307017)
- Subject to change without notice